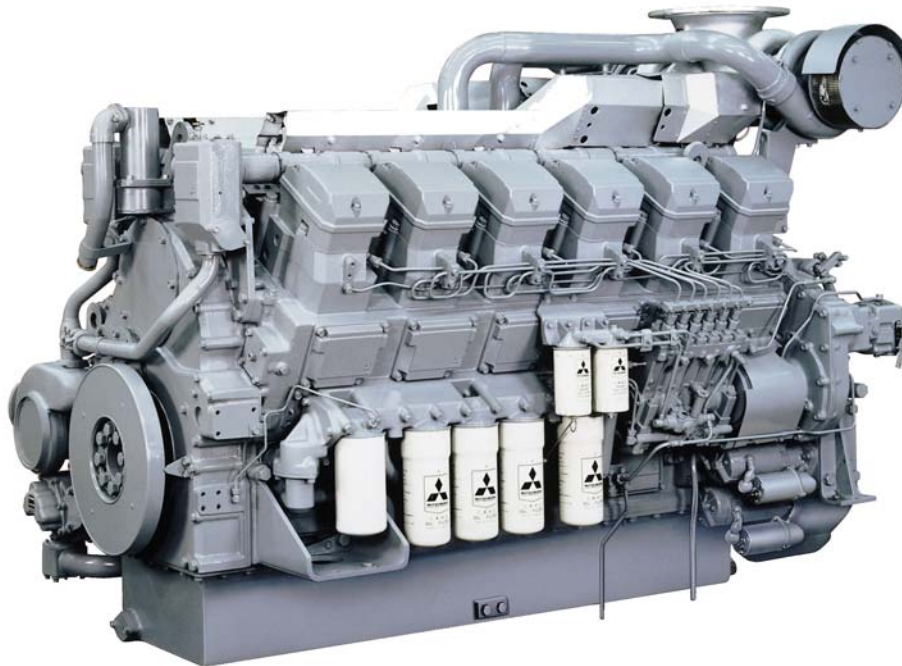


**MITSUBISHI ENGINE
NORTH AMERICA**

Sept. 2010

*Engine Serial Number Locations by
Engine Model*

Small Bore & Large Bore Diesel

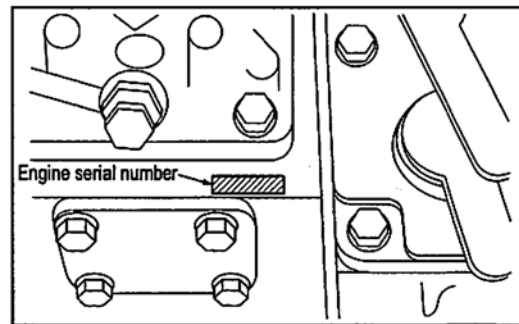




L3E & L2E

3. Engine serial number

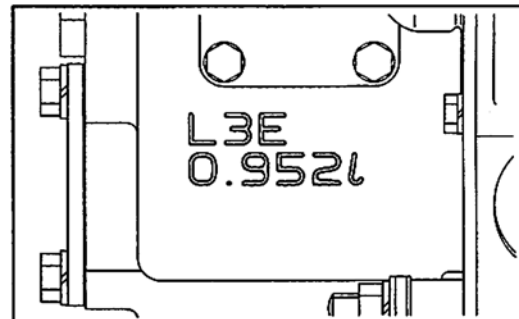
The engine serial number is stamped on the injection pump mount (upper side of tie rod cover) of the cylinder block.



Stamping position of engine serial number

4. Indication of engine model and total displacement

The engine type and displacement are stamped on the side of the injection pump mount of the cylinder block.



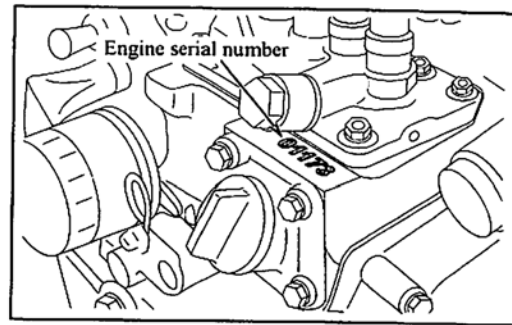
Engine model and cylinder capacity



SL Series

1.6 Engine Serial Number

The engine serial number is stamped on the top face of the fuel injection pump bracket on the right-hand side of the cylinder block.



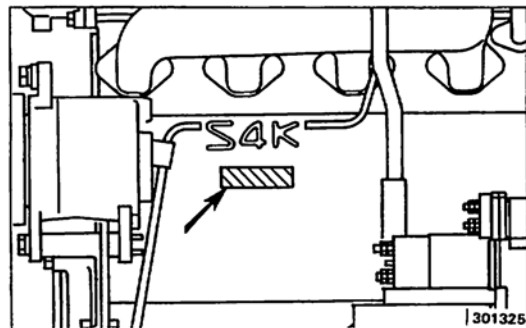
Engine serial number location



SK Series

1.4 Engine serial number location

The engine serial number is stamped on the side face of crankcase.

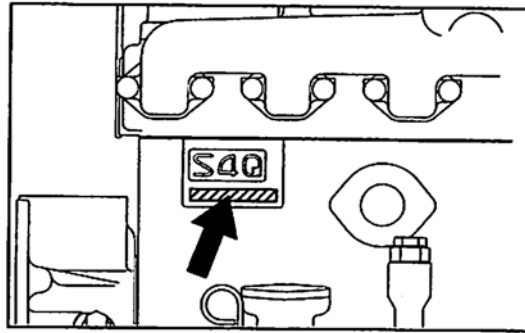




S4Q2

Engine Serial Number

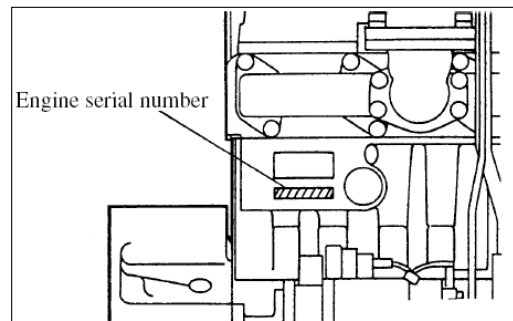
The engine serial number is stamped on the side of the crankcase



S4S & S6S

1.2 Engine Serial Number Location

The engine serial number is located on the side of the crankcase.

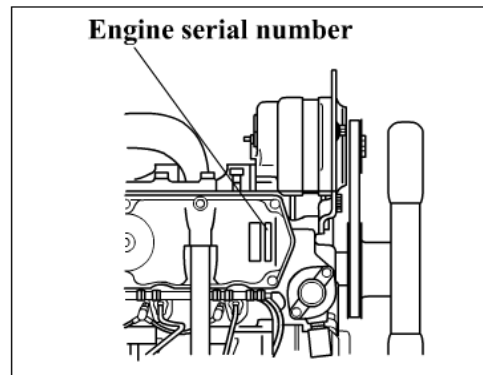




K4N

- (2) The engine serial number is shown by a label attached to the top of the rocker cover. It is also stamped on the injection pump mounting surface of the cylinder block.
- (3) The engine serial number is stamped as shown below.

Engine Model	Serial number
K4N-Y1D	1001~



Location of engine serial number label



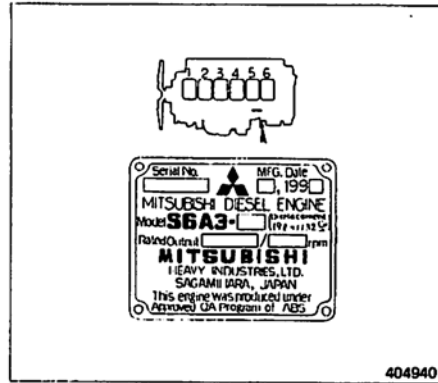
S6A3

1.2 Engine serial number location

The engine serial number is stamped on the nameplate attached to the left rear side of the engine.

Example: Model Serial number
S6A3 30125

On the nameplate are also stamped the output and rated speed. The numbers in the illustrations show cylinder numbers.



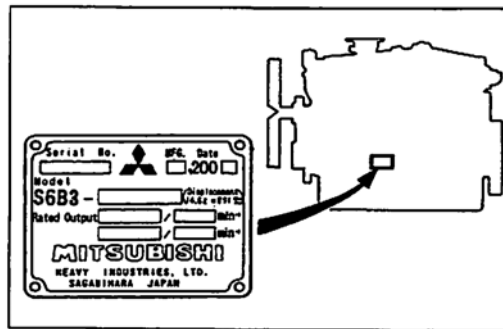
S6B3

1.2 Engine Serial Number Location

The engine serial number is stamped on the nameplate attached to the left center side of the engine.

< Example >

Model Engine serial No.
S6B3 30125





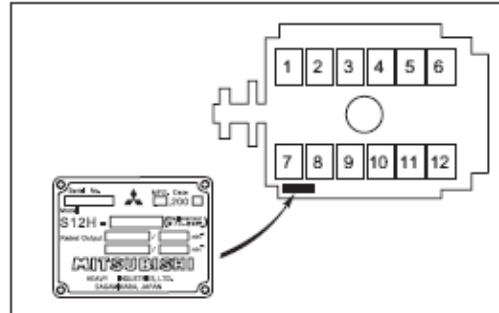
S12H

3. Engine serial number location

The engine serial number is stamped on the nameplate of the lateral side of the engine.

The rated engine output and speed are also stamped on the nameplate.

The numbers shown in the illustration mean the cylinder numbers.



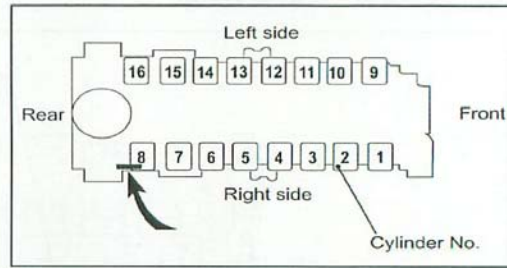
Nameplate location



S16R

1.7 Engine serial number location

The engine serial number is stamped on the nameplate of the left front side of the engine.
The rated output and speed are also stamped on the nameplate.



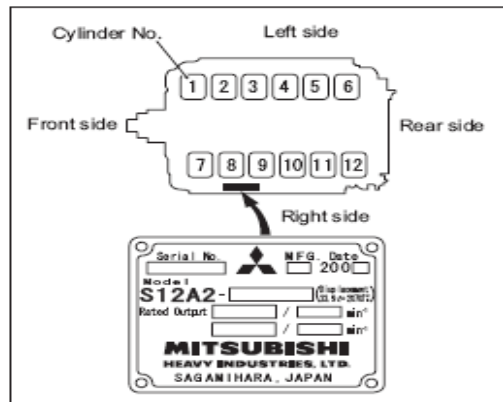
Location of nameplate



S12A2

3. Engine serial number location

The engine serial number is stamped on the nameplate of the lateral side of the engine.
The rated engine output and speed are also stamped on the nameplate.
The numbers shown in the illustration mean the cylinder numbers.



Nameplate location



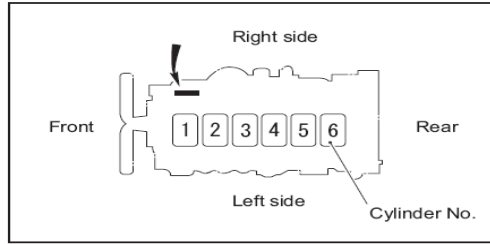


S6R

3. Engine serial number location

The engine serial number is stamped on the nameplate of the left front side of the engine.

The rated output and speed are also stamped on the nameplate.



Nameplate location

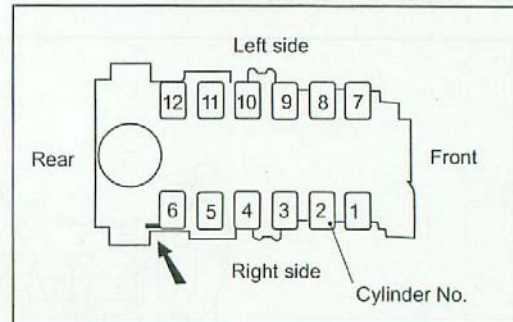


S12R

1.7 Engine serial number location

The engine serial number is stamped on the nameplate of the left front side of the engine.

The rated output and speed are also stamped on the nameplate.



Location of nameplate



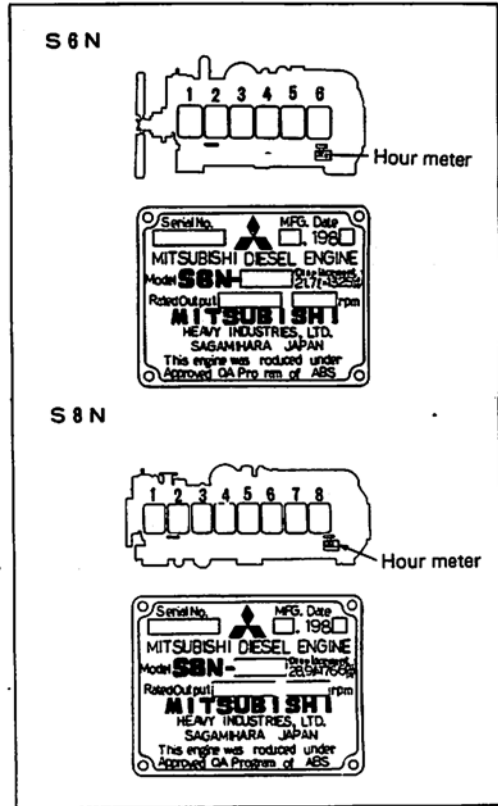
S6N & S8N

The engine serial number is stamped on the nameplate attached to the left rear side of the engine.

Example

Model	Serial number
S6N	00012

On the nameplate are also stamped the output and rated speed. The numbers in the illustrations show cylinder numbers.



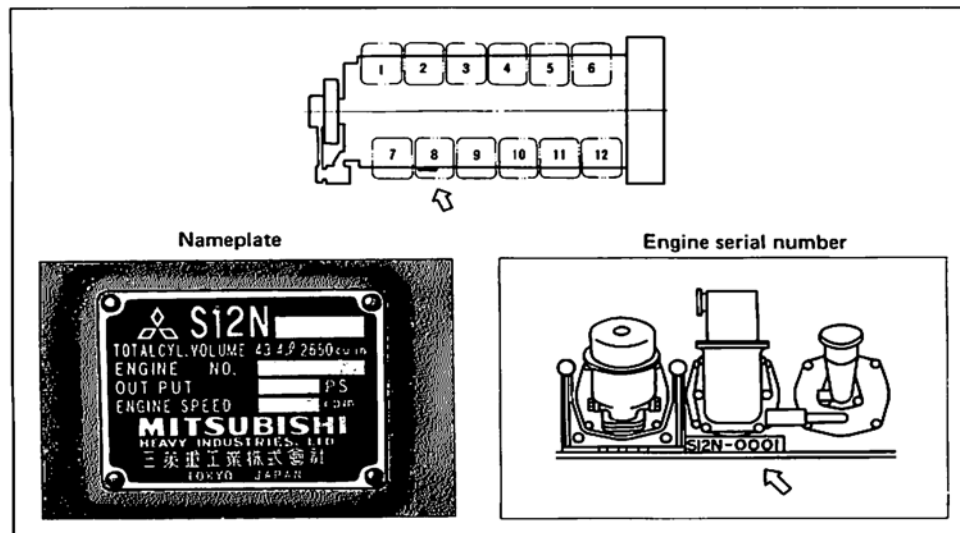


S12N & S16N

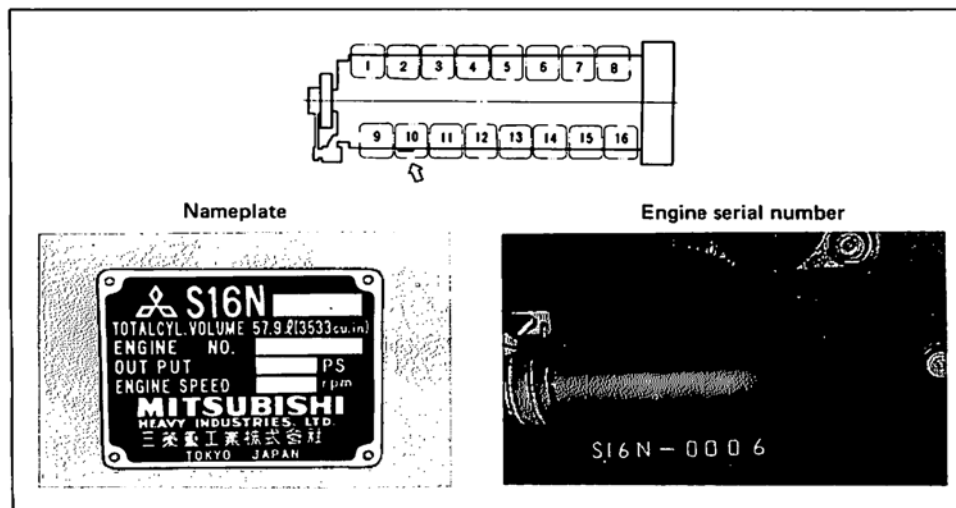
ENGINE SERIAL NUMBERS

The serial numbers assigned to your engines distinguish them from all other engines of Model S12N and S16N, and are to be cited in written communication for acquiring replacement parts or other supplies or for asking your MITSUBISHI-authorized shop to repair them.

The serial numbers are punched on the engines at the location and in the form shown:



S12N



S16N



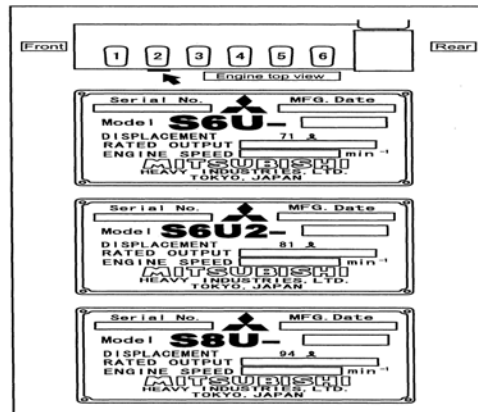
S6U

1.7 Engine Serial Number

The engine serial number is stamped on the nameplate attached on the left side of the engine.

Model	Engine serial number
S6U	10012
S6U2	20100
S8U	10030

The nameplate is stamped with the engine serial number, rated output, and rated speed.
Numbers in the illustration indicate cylinder numbers.



S12U & S16U

1.7 Engine Serial Number

The engine serial number is stamped on the nameplate attached on the left side of the engine.

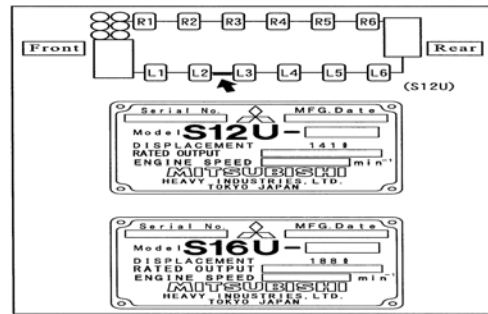
Model	Engine serial number
S12U	10012
S16U	20100

Note: The engine serial number is stamped.

This sequential number starting from 10001 indicates the order of shipping from us.

The nameplate is stamped with the engine serial number, rated output, and rated speed.

Numbers in the illustration indicate cylinder numbers.

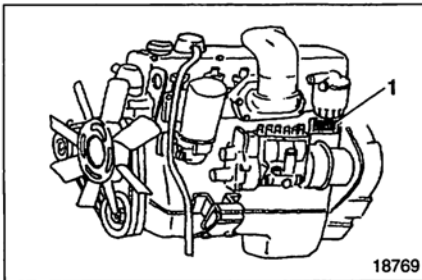


Nameplate location



6D 14,15,16

Engine Number

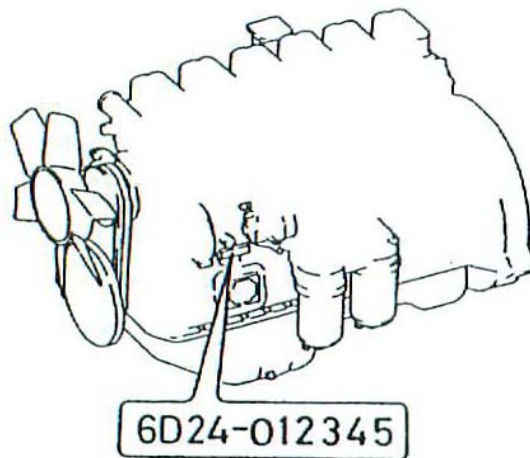


Engine number 1 is punch-marked on the left of the crankcase.

Example: 6D16-□□□□□□
└── Engine model ─┘ └── Engine number ─┘



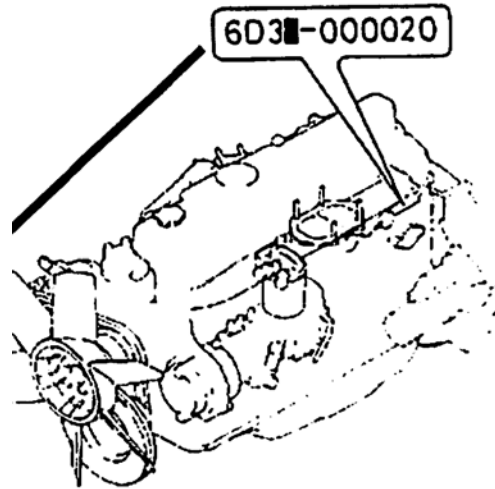
6D 24





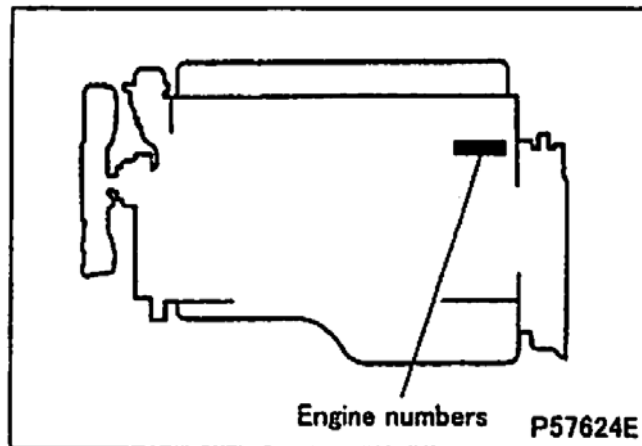
FUSO

6D 34



FUSO

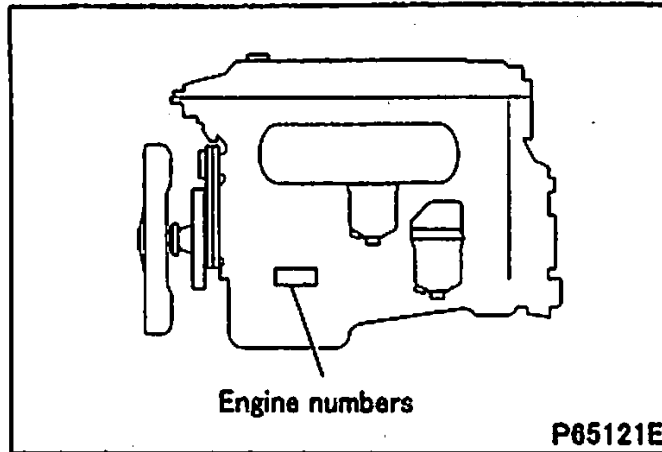
6M 60





FUSO

6M 70



FUSO

4D 31,34

