



Engine number guide

 **Perkins®**

THE HEART OF EVERY GREAT MACHINE

Understand your engine plate

Know the parts you need for your engine

Over the years Perkins has produced hundreds of different engines and each can have many different variants.

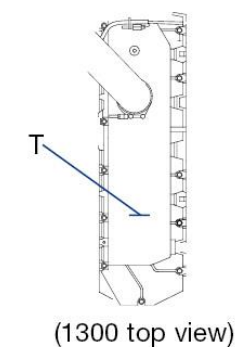
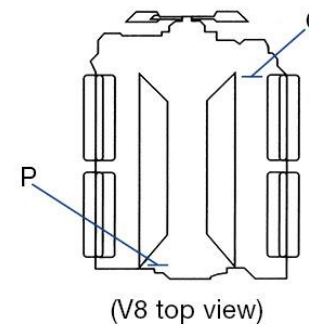
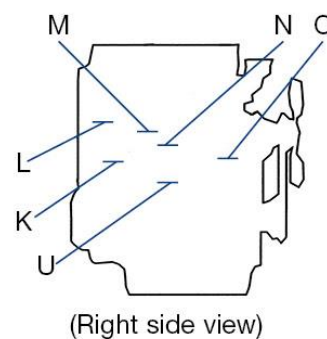
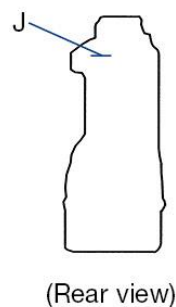
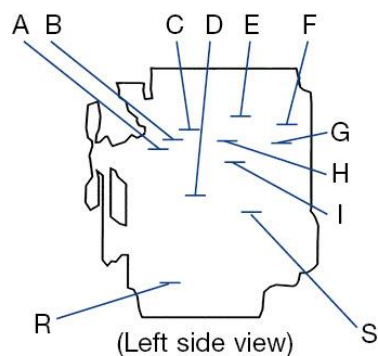
So how do you know the exact specification of your engine? All the information you need about your engine is included in the serial number on your engine plate, which you can use to find the parts to fit on your engine.

Where can I find my serial number?

The engine serial number is on a metal plate attached to the block, typically found on the left-hand side of the engine. The position of the engine plate varies across different engine series. You can find the position of your plate using the table below.

Engine type	Position	Engine type	Position	Engine type	Position
3.152	M	4.41	H	1104D	S
4.108	A	6.247	C or F	850 Series*	D or R
4.154/200 Series	B	6.354	D	1204E	S
4.165	B or G	V8.540	Q	1206E	R
4.203	J or N	Peregrine/1300 Series	I or O	1300 Series	T
4.212/4.248/900 Series	C	V8.640	P	1500 Series	U
1106D including PK	R	700/800 Series	K	1600 Series	U
4.236	C or L	Perama/100/400 Series	O	1706	N
4.318	F	Phaser/1000/1100 (A/B/C) Series	H or J	2506/2806	V

* 850 IOPU serial number is located below the sump on the pedestal bracket



Engine serial number composition

The engine serial number is made up of several components. For example, full engine serial number could be PJ12345U123456P.

The engine serial number is the complete number shown. This is made up of:

- ① the list number or build list, typically 2 to 4 letters followed by 4 or 5 numbers
- ② a letter identifying the country
- ③ a series of numbers showing the build line, also called a serial number
- ④ a letter indicating the year of manufacture



Year of manufacture code

This code indicates the calendar year of manufacture. The letters I,O,Q,R and Z will not be used									
A	1974	L	1984	Y	1994	K	2003	X	2013
B	1975	M	1985	A	1995	L	2004	Y	2014
C	1976	N	1986	B	1996	M	2005	A	2015
D	1977	P	1987	C	1997	N	2006	B	2016
E	1978	S	1988	D	1998	P	2007	C	2017
F	1979	T	1989	E	1/1/99-31/3/99	R ¹ /S	2008	D	2018
G	1980	U	1990	F	1/4/99-31/12/99	T	2009	E	2019
H	1981	V	1991	G	2000	U	2010	F	2020
J	1982	W	1992	H	2001	V	2011	G	2021
K	1983	X	1993	J	2002	W	2012	H	2022

Notes

¹ A number of engines were built with the letter 'R' as the year of manufacture code. In the middle of January 2008, the year of manufacture code was changed to the letter 'S'.
If your full engine serial number ends with the letter 'R', Perkins Engines Company Limited will recognise the full engine serial number.

Small/medium engines

Phaser/1000 Series	BL	1206E-E70TTA	DD	1103C-33T	400 Series Gas	GN	404D-22	IF	403J-17T		
AA	1004-4		DE	1103C-33TA	EX	404A-22SG1	GP	404D-22T	IN	404J-22	
AB	1004-4T		DF	1103B-33	900 Series		GR	404D-22TA	IQ	404J-E22T	
E	1004-4T		DG	1103B-33T	FE	904D-E28T	GS	403D-17	IR	404J-E22TA	
AD	1004e-4TW		DJ	1103A-33	FJ	904F-E28T	GT	403A-11	IW	403J-E17T	
AE	Fed. CC		DK	1103A-33T	FL	904J-E28T	GU	403A-15	IZ	403J-11T	
AF	1004-40S		4.108 Series		FM	904J-E28TA	GV	404A-22	4.203 Series		
AG	1004-4	CA	P3	EA	4.99	FT	904D-E36TA	4.165 Series	JD	4.203	
AH	1004-4T	CB	3.144	EB	4.107	FV	904J-E36TA	HA	4.165	JE	D4.203
New 1000 Series		CC	P3.144	EC	T4.107	FW	904J-E36TA <56kW	400 Series	JF	G4.203	
AJ	1004-40	CD	3.152	ED	4.108	FX	904J-E36TA >56kW	HB	402C-05	JG	4.2032
AK	1004-40T	CE	D3.152	EE	T4.108	4.154/200 Series		HD	403C-07	850 Series	
AL	1004-40TA	CF	G3152	400 Series		GA	4.154	HH	403C-11	JR	854E-E34TA wall flow
AM	1004-40T	CG	P3.152	EG	402F-05	GB	4.135	HL	403C-15	JS	854F-E34T wall flow
AP	1004-40	CJ	3.1522	EH	403F-07	GC	4.182	HM	403C-17	JT	854F-E34T through flow
AQ	1004-40T	CK	T3.152C	EJ	403F-11	GD	4.25	HN	404C-15	JU	854F-E34TA
AR	1004-42	CM	3.1524	EK	403F-15	GE	4.3	HP	404C-22	JV	854F-E34TA wall flow
AS	1004-42	CN	T3.1524	EL	403F-15T	400 Series		HR	404C-22T		
AT	1004-40TA	900 Series		EN	404F-22	GG	402D-05	400 Series			
Prima/500 Series		CR	903-27	EP	404F-22T	GH	403D-07	IG	402J-05		
BA	504-2	CP	903-27	EQ	404F-E22T	GJ	403D-11	IH	403J-07		
BB	502-2T	CS	903-25	ER	404F-E22TA	GK	403D-15	IJ	403J-11		
1200 Series		CT	903-27S	EW	403F-E17T	GL	403D-15T	IK	403J-15		
BK	1206E-E66TA	1100 Series				GM	404D-15	IS	403J-17		
		DC	1103C-33								

A	Air-to-air chargecooled	E	Electronic	H	Horizontal	T	Turbocharged
C	Compensated	F	Federal emissions	N	Narrow front end	U	Unit injection
CC	Chargecooled	FF	Federal	P	Timing chain	V	V form
D	Direct injection	G	Gasoline/gas	S	Spark ignition	W	Water-to-air chargecooled

Small/medium engines

Perama/100 Series	1100 Series	NR 1104D-E44TA	RS 1104A-44T	TZ HT6.3544	XJ 1103D-E33TA
KA 102.04	LN 1103A-33G1	PJ 1106D-E66TA	RT 1104A-44TA	700 Series	XK 1103D-33
KB 103.06	LQ 1103A-33TG2	PK 1106C-E66TA ¹	Sabre CC6.68	UA 704.30	XL 1103D-33T
KC 103.09	LR 1104A-44TG2	PP 1106A-70T	SD Sabre CC6.68	UB 704.26	XM 1103D-33TA
KD 103.10	LT 1106-70TG1	PR 1106A-70TA	1200 Series	UC 704.30	Phaser/1000 Series
KE 103.15	LU 1106A-70TAG2	PT 1106C-70TA	ST 1204J-E44TA	800 Series	YA 1006-6
KF 104.19	LV 1106A-70TAG3	PU 1106D-70TA	SU 1204J-E44TTA	UE 804C-33	YB 1006-6T
KG 103.12	1200 Series	PV 1106C-E70TA	SV 1204EA-E44TA	UK 804D-33	YC 1006-6T
KH 103.13	MK 1204E-E44TA	PW 1106D-E70TA	SW 1204EA-E44TTA	UL 804D-33T	YD 1006e-6T
KJ 103.15 DI	ML 1204E-E44TTA	400 Series	6.354 Series	UM 804D-33TA	YE Fed. CC
KK 104.19 DI	MT 1204F-E44TA	QJ 403EA-11	TC 6.354	1100 Series	YF 1006-60S
KL 103.07	DOC and SCR	QZ 403EA-11T	TD H6.354	VK 1106C-E60TA	New 1000 Series
KN 102.05	MU 1204F-E44TTA	QS 403EA-17	TE T6.354	1200 Series	YG 1006-60
KR 104.22	DOC and SCR	QN 404EA-22	TF HT6.354	VL 1206J-E70TA	YH 1006-60T
KS 103.11	MW 1204F-E44TTA	QP 404EA-22T	TG 6.3541	VM 1206J-E70TTA	YJ 1006-60TA
4.236 Series	DOC,DPF and SCR	6.247 Series	TH T6.3541	VR 1206EA-E70TA	YK 1006-60TW
LA 4.212	4.318	RA 6.247	TJ 6.3542	VS 1206EA-E70TTA	V8.640 Series
LB G4.212	NC 4.318	1100 Series	TP T6.3543	V8.540 Series	ZA V8.640
LD 4.236	ND 4.3182	RE 1104C-44	TR 6.372	XA V8.510	ZB TV8.640
LE G4.236	NH²/NP 1104D-E44T	RF 1104C-E44	TT TC6.3541	XB TV8.510	
LF 4.428	NJ²/NR 1104D-E44TA	RG 1104C-44T	TU T6.3544	XC V8.540	
LG 4.2482	NK 1104D-44	RH 1104C-E44T	TV 6.3724	XE TV8.540	
LH C4.236	NL 1104D-44T	RJ 1104C-44TA	TW 6.3544	1100 Series	
LJ T4.236	NM 1104D-44TA	RK 1104C-E44TA	TX C6.3544	XG 1103D-E33	
LM 4.41	NP 1104D-E44T	RR 1104A-44	TY H6.3544	XH 1103D-E33T	

A Air-to-air chargecooled	E Electronic	H Horizontal	T Turbocharged
C Compensated	F Federal emissions	N Narrow front end	U Unit injection
CC Chargecooled	FF Federal	P Timing chain	V V form
D Direct Injection	G Gasoline/gas	S Spark ignition	W Water-to-air chargecooled

Notes

¹ PK Series engines are derived from the 1106D range platform but are only Stage II EU 2007 generator sets emissions compliant.

² Not available from 2014.

Large engines

4000 Series	DGK 4012-46TWG2 (A)	JGA 2806A/C/D-E18TAG1A	MGD 2506A/C-E15TAG3	TGK 2206F-E13TAG2	WQ 1306-E76TA
DIE 4006TESI	DGN 4012-46TWG3 (A)	JGB 2806A-E18TAG2	MGE 2506A/C-E15TAG4	TGD 2206A/C/D-E13TAG3	WR 1306-E87T
DIF 4006TESI	DGV 4012-46TWG4 (A)	JGD 2806A/C-E18TAG3	1700 Series	TGF 2206A-E13TAG5	WS 1306-E87TA EP pre Jan 2010 IOPU pre June 2010
DIH 4006TRS	DGP 4012TEG	JGE 2806A-E18TTAG4	NGK 1706J/EA-E93TA	TGH 2206A-E13TAG6	1300 Series Peregrine
DIJ 4006TRS	DGR 4012TEG2	JGF 2806A-E18TTAG5	NGW 1706D-E93TA	1300 Series	WGD 1306A-E87TAG3
DGA 4006TAG1	DIE 4016TESI	JGH 2806A-E18TTAG6	2200 Series	WB 1306-8T	WGE 1306A-E87TAG4
DGB 4006-23TAG2 (A)	DIF 4016TESI	JGJ 2806A-E18TTAG7	PK3 2206D-E13TA	WC 1306-8TA	WGH 1306A-E87TAG6
DGD 4006-23TAG3 (A)	DIG 4016E61-TRS	JGK 2806F-E18TAG1	PP3 2206F/J-E13TA	WD 1306-7T pre June 2010	1600 Series
DGM 4006TWG	DIH 4016TRS	JGL 2806C-E18TTAG6	PP4 2206F-E13TA (ARD)	WD 1306-E87T/TA post June 2010	XGA 1606D-E93TAG1
DGP 4006TEG	DIJ 4016TRS	JGM 2806C-E18TTAG7	2500 Series	WE 1306-7TA	XGB 1606D-E93TAG2
DIE 4008TESI	DGL 4016TAG	JGN 2806J-E18TAG1	PK5 2506D-E15TA	WF 1306-8T NGD	XGD 1606D-E93TAG3
DIF 4008TESI	DGA 4016TAG1 (A)	2400 Series	PP5 2506J-E15TA (non-OEA)	WG 1306-8TA NGD pre Jan 2010	XGE 1606A/D-E93TAG4
DIH 4008TRS	DGB 4016TAG2 (A)	KGD 2406J-E13TAG3	2800 Series	WH 1306-9T NGD	XGF 1606A/D-E93TAG5
DIJ 4008TRS	DGK 4016TWG2	KHG 2406J/EA-E13TA	P84 2806F/J-E18TA (non-OEA)	WJ 1306-9TA NGD	1700 Series
DGL 4008TAG	DGR 4016TEG1/2 (A)	1500 Series	PK8 2806D-E18TA	WK 1306-E76T	YGA 1706A-E93TAG1
DGA 4008TAG (A)	DGP 4016-61TRG1 (A)	LGA 1506A-E88TAG1	PP8 2806J-E18TTA (non-OEA)	WL 1306-E76TA	YGB 1706A-E93TAG2
DGB 4008TAG (A)	DGW 4016-61TRG2 (A)	LGB 1506A/C-E88TAG2	1500 Series	WN 1306-E87TA	YGC 1706D-E93TAG1
DGK 4008TWG2	DGX 4016-61TRG3 (A)	LGD 1506A/C/D-E88TAG3	PK9 1506D-E88TA	WP 1306-E76T	YGD 1706D-E93TAG2
DIE 4012TESI	2300 Series	LGE 1506A-E88TAG4	2800 Series		YGE 1706J-E93TAG1
DIF 4012TESI	FGA 2306TAG1	LGF 1506A/D-E88TAG5	R5H 2506J/EA-E15TA		YGF 1706J-E93TAG2
DGA 4012-46TAG1 (A)	FGB 2306TAG2	2500 Series	R8H 2806J/EA-E18TA		
DGB 4012-46TAG2 (A)	FGD 2306TAG3	MGA 2506A/C/D-E15TAG1	2200 Series		
DGD 4012-46TAG3 (A)	2800 Series	MGB 2506A/C/D-E15TAG2	TGB 2206A/C/D-E13TAG2		
DGL 4012-46TAG0A	HGA 2806TAG1 (16 litre)	MGD 2506A/C-E15TAG3			
DGM 4012TWG	HGB 2806TAG2 (16 litre)	MGE 2506A/C-E15TAG4			

61 Capacity in litres	CHP Combined heat and power	G Genset	R Remote cooled
A Air-to-air	E External water circuit (4000 Series only)	I Intercooled	S (SI) Spark ignition
ARD Aftertreatment regeneration device	E Electronic	M Marine	T Turbocharged
		OEA Optimised electric architecture	W Water

1300 Series

Build list ID pre January 2010	Build list ID from January 2010	Product type	Speed
1300 Series EP			
WS5360	WGDF7002	1306C-E87TAG3	1500 rpm
WS5361	WGEF7003	1306C-E87TAG4	1500 rpm
WS5358	WGFF7007	1306C-E87TAG5	1500 rpm
WS5362	WGHF7004	1306C-E87TAG6	1500 rpm
WS5359	WGDF7008	1306C-E87TAG3	1800 rpm
WS5357	WGEF7009	1306C-E87TAG4	1800 rpm
WS5363	WGDF7005	1306C-E87TAG3	1500/1800 rpm
WS5364	WGEF7006	1306C-E87TAG4	1500/1800 rpm

Build list ID	Product type
1300 Series	
WGDF	1306A-E87TAG3
WGEF	1306A-E87TAG4
WGHF	1306A-E87TAG6

Build list ID pre January 2010	Build list ID from January 2010	Product type	Speed
1300 Series IOPU			
WR4424	WDMF7100	1306-E87T	153.0 @ 2200
WP4423	WDNF7101	1306-E76T	156.5 @ 2400
WR4425	WDPF7102	1306-E87T	168.0 @ 2200
WS4426	WDQF7103	1306-E87TA	186.5 @ 2000
WS4427	WDRF7104	1306-E87TA	186.5 @ 2200
WS4580	WDSF7105	1306-E87TA	197.5 @ 2100
WS4428	WDTF7106	1306-E87TA	197.5 @ 2100
WS5093	WDUF7107	1306-E87TA	197.5 @ 2200
WS5095	WDVF7108	1306-E87TA	197.5 @ 2200
WS5405	WDWF7109	1306-E87TA	223.5 @ 2200
WS5404	WDXF7110	1306-E87TA	246.0 @ 2000

1500 Series

Build list ID	Product type
1500 Series EP	
LGAF	1506A-E88TAG1
LGBF	1506A/C-E88TAG2
LGDF	1506A/C/D-E88TAG3
LGEF	1506A-E88TAG4
LGFF	1506A/D-E88TAG5

1600 Series

Build list ID	Product type
1600 Series EP	
XGAF	1606D-E93TAG1
XGBF	1606D-E93TAG2
XGDF	1606D-E93TAG3
XGEF	1606A/D-E93TAG4
XGFF	1606A/D-E93TAG5

2000 Series Electronic

Build list ID pre January 2009	Build list ID from January 2009	Product type
2200 Series		
Not applicable	TGBF	2206A/C/D-E13TAG2 (13 litre)
Not applicable	TGDF	2206A/C/D-E13TAG3 (13 litre)
Not applicable	TGFF	2206A-E13TAG5 (13 litre)
Not applicable	TGHF	2206A-E13TAG6 (13 litre)
2300 Series		
FGA06	FGAF	2306TAG1 (14 litre)
FGB06	FGBF	2306TAG2 (14 litre)
FGD06	FGDF	2306TAG3 (14 litre)

Build list ID pre January 2008	Build list ID from January 2008	Product type
2500 Series		
MGA06	MGAF	2506A/C-E15TAG1 (15 litre)
MGB06	MGBF	2506A/C/D-E15TAG2 (15 litre)
MGD06	MGDF	2506A/C-E15TAG3 (15 litre)
MGE06	MGEF	2506A/C-E15TAG4 (15 litre)
2800 Series		
HGA06	Not applicable	2806TAG1 (16 litre)
HGB06	Not applicable	2806TAG2 (16 litre)
JGA06	JGAF	2806A/C-E18TAG1 (A) (18 litre)
JGB06	JGBF	2806A-E18TAG2 (18 litre)
JGD06	JGDF	2806A/C-E18TAG3 (18 litre)
Not applicable	JGYF	2806A-E18TAG2 (18 litre)
Not applicable	JGZF	2806A-E18TAG3 (18 litre)

Build list ID pre February 2014	Build list ID from February 2014	Product type
2800 Series		
Not applicable	JGAF	2806D-E18TAG1 (A) (18 litre)

4000 Series - Diesel

Build list ID pre January 2008	Build list ID from January 2008	Product type
4006		
DGA06	Not applicable	4006TAG1
DGB06	DGBF	4006/4006-23TAG2 (A)
DGD06	DGDF	4006/4006-23TAG3 (A)
DGM06	Not applicable	4006TWG
DGP06	Not applicable	4006TEG
4008		
DGL08	DGLH	4008TAG
DGA08	DGAH	4008TAG1 (A)
DGB08	DGBH	4008TAG2 (A)
DGK08	Not applicable	4008TWG2

Build list ID pre January 2016	Build list ID from January 2016	Product type
4008		
Not applicable	DGAH	4008-30TAG1
Not applicable	DGBH	4008-30TAG2
Not applicable	DGDH	4008-30TAG3

Build list ID pre January 2008	Build list ID from January 2008	Product type
4012		
DGL12	Not applicable	4012TAG
DGA12	DGAM	4012/4012-46TAG1 (A)
DGB12	DGBM	4012/4012-46TAG2 (A)
DGD12	DGDM	4012-46TAG3 (A)
N/A	DGLM	4012-46TAG0A
DGM12	Not applicable	4012 TWG
DGK12	DGKM	4012/4012-46TWG2 (A)
DGN12	DGNM	4012-46TWG3 (A)
N/A	DGVM	4012-46TWG4 (A)
DGP12	Not applicable	4012TEG
DGR12	Not applicable	4012TEG2
4016		
DGL16	DGLR	4016TAG
DGA16	DGAR	4016TAG1 (A)
DGB16	DGBR	4016TAG2 (A)
DGK16	DGKR	4016TWG2
DGR16	DGRR	4016TEG1/2 (A)
Not applicable	DGPR (Introduced July 2010)	4016-61 TRG1 (A)
Not applicable	DGWR (Introduced July 2010)	4016-61 TRG2 (A)
Not applicable	DGXR (Introduced July 2010)	4016-61 TRG3 (A)

Notes

- A letter 'A' after the engine type equals the first evolution of that product, eg TAG1A
- The letters 'DBB' in the serial number signify a long engine replacement in a diesel or gas 4000 Series engine
- DPE' - new internal build list numbers

4000 Series - Gas

Build list ID pre January 2008	Build list ID from January 2008	Product type
4006		
DIE06	DIEF	4006TAG1
DIF06	DIFF	4006TESI
DIH06	DIHF	4006TRS
DIJ06	Not applicable	4006TRS
4008		
DIE08	DIEH	4008TESI
DIF08	DIFH	4008TESI
DIH08	DIHH	4008TRS
DIJ08	DIJH	4008TRS
4012		
DIE12	DIEM	4012TESI
DIF12	DIFM	4012TESI
4016		
DIE16	DIER	4016TESI
DIF16	DIFR	4016TESI
DIG16	DIGR	4016E61-TRS
Not applicable	DIHR (Build list ID from Jan 2009)	4016TRS
Not applicable	DIJR (Build list ID from Jan 2009)	4016TRS

Notes

- A letter 'A' after the engine type equals the first evolution of that product, eg TAG1A
- The letters 'DBB' in the serial number signify a long engine replacement in a diesel or gas 4000 Series engine
- DPE' - new internal build list numbers

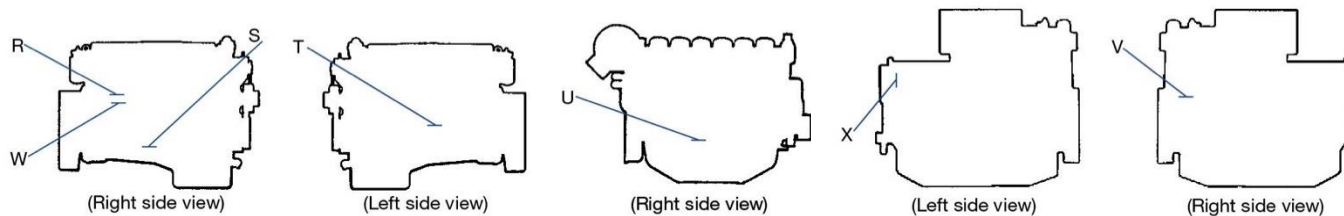
2000/3000 Series Mechanical

Family: SA Automotive	SBB 2000 Series	Family: SI Gas	Family: SF Forklift	SGF TG	SPB T1
SAA 300TX	SBC 3008 Series	SIA SI	SFA T1	SGG TG1A	SPC T2
SAB 320MX	SBD 3012 Series	SIB SI Gas Unit	SFB T2	SGH TG2A	SPD TA
SAC 335TX	Family: SL Long Engine	SIC TSI CHP	SFC TA	SGJ TTAG	SPE TAP
SAE 350E	SLA TX / Euro 2	SID TSI Gas Unit	SFD TW	SGK TWG2	SPJ TP
SAG 375TX	SLB 2000 Series	SIE TWSI CHP	Family: SG Generator set	SGL TAG	SPK TTA
SAJ 340TX2	SLC 3008 Series	SIF TWSI Gas Unit	SGA TAG1A	SGM TAG5	SPL TTAP
SAK 380TX2	SLD 3012 Series	Family: SM Marine	SGB TAG2	Family: SH Horizontal	SPM TW
SAL 410TX2	SLE 3008 Marine	SMA M600T1	SGC TAG2A	SHA TWH	SPP TW1
Family: SA Automotive	SLG 3008 / 3012SI	SMB M700T1	SGD TAG3A	Family: SP Plant	
SBA TX		SMC M800T1	SGE TAG4	SPA T	

Shrewsbury Product (produced pre 1994)

8BT, 8CTA, 8DTW	Eagle
8CTA	Eagle TX
8BT, 8CTA/TTA, 8DTW, 8ESI, 8GTW-H	2000 Series
4AT, 4BTA, 4ESI	3008/CV8
4CTi	Condor Marine
6ATA, 6CTW, 6DT, 6ESI	3012/CV12

Engine type	Position
Eagle/2000 Series	R
3008 Series	T
3012 Series	S
2300/2500/2800 Series	W
4006/4008 Series	U
4012/4016	V or X



Perkins Sales

Americas

North America

1600 W Kingsbury St
Seguin
Texas 78155
United States
Toll free number: 1-888-PERK-ENG

South America

Rua Dr. Chucri Zaidan, 1240
Golden Tower – 17th Floor
São Paulo – SP CEP 04711-130
Brazil
Tel: +55 11 2109 2038

Asia

China

20/F Lei Shing International Plaza
1319 West Yan'an Road
Shanghai 200050
China
Tel: +86 21 22160774
Fax: +86 21 52136624

India

Floor 6, Tower 'B' Prestige Shantiniketan
The Business Precinct, Whitefield Main Road
Bangalore 560048
India
Email: IPSD_India@perkins.com

Europe, Middle East and Africa

Peterborough, PE1 5FQ
United Kingdom
Tel: +44 1733 583000

Japan

Ocean Gate Minato Mirai 12F
3-7-1 Minatomirai, Nishi-ku, Yokohama city
Kanagawa, 220-0012
Japan
Tel: +81 45 682
Fax: +81 45 682 3690

Korea

11F, Songchon Building, 503
Nonhyeon-ro, Gangnam-gu
Seoul 06132
Korea
Tel: +82 10 8669 8358

Singapore

14 Tractor Road
Singapore 627973
Tel: +65 6828 7469
Fax: +65 6828 7414

www.perkins.com

Copyright © 2022 Perkins Engines Company Limited, all rights reserved. No part of this document may be reproduced in any form or by any means, without prior written permission of Perkins Engines Company Limited. The information in this document is substantially correct at the time of printing and may be altered subsequently.

Publication No. PP3000EN-02 (08-22)

 **Perkins**®

THE HEART OF EVERY GREAT MACHINE

